

FIG. 1A

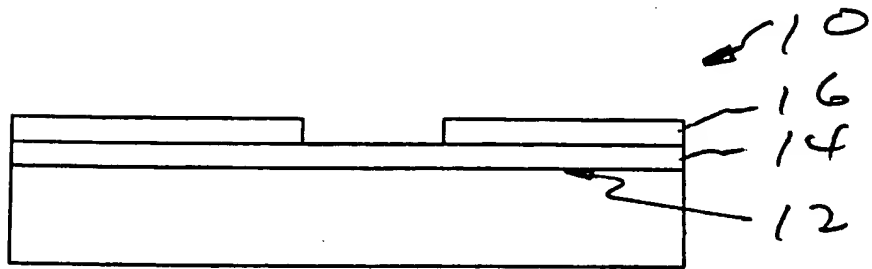


FIG. 1B

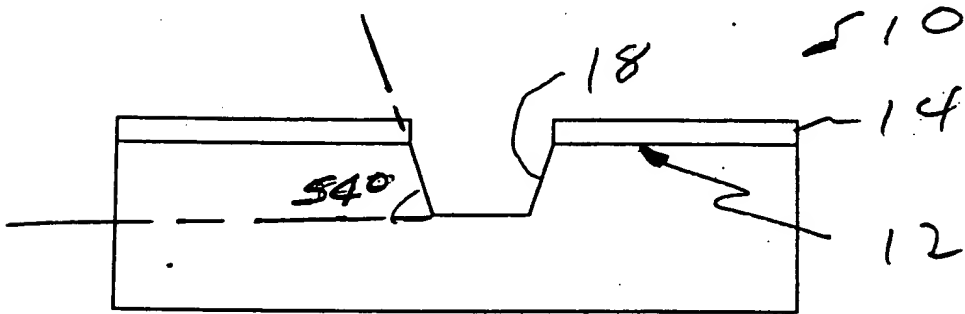


FIG. 1C

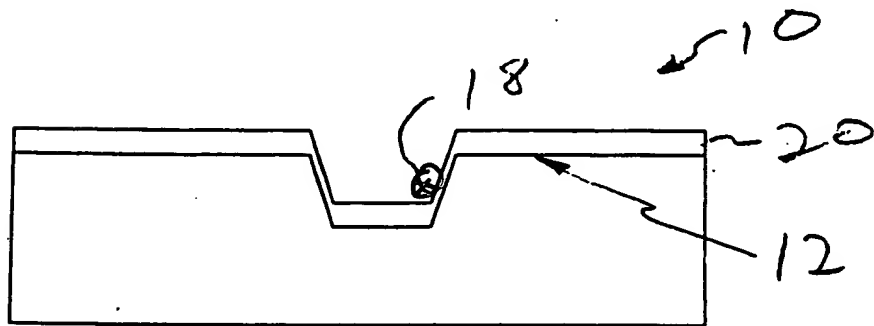


FIG. 1D

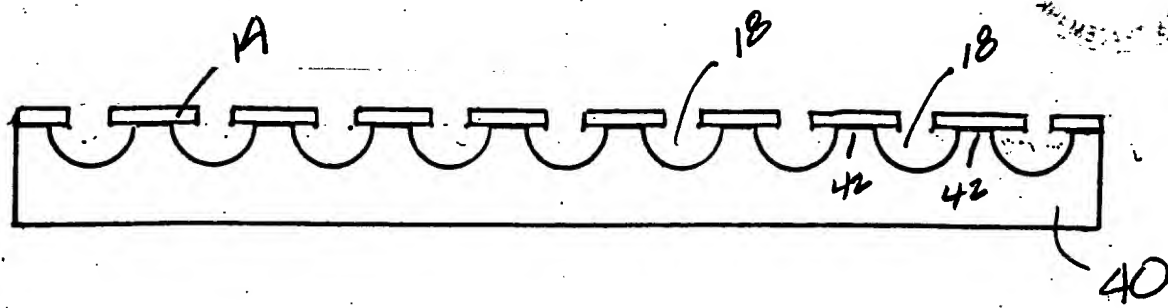


FIG. 8

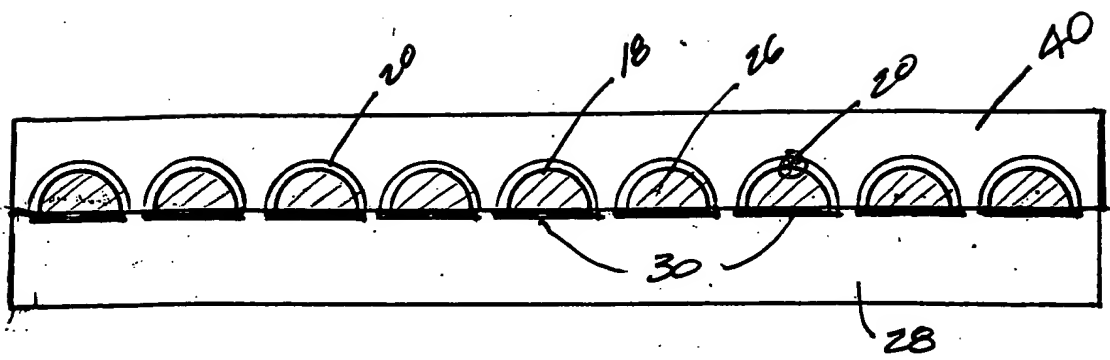


FIG. 9

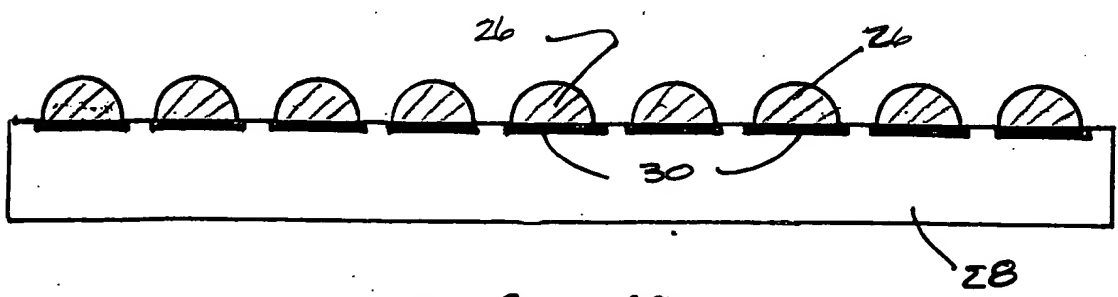


FIG. 10

OFFICE OF THE
COMMISSIONER OF PATENTS
WASHINGTON, D. C. 20540

OFFICE OF THE
COMMISSIONER OF PATENT AND TRADEMARKS
WASHINGTON, D.C. 20530

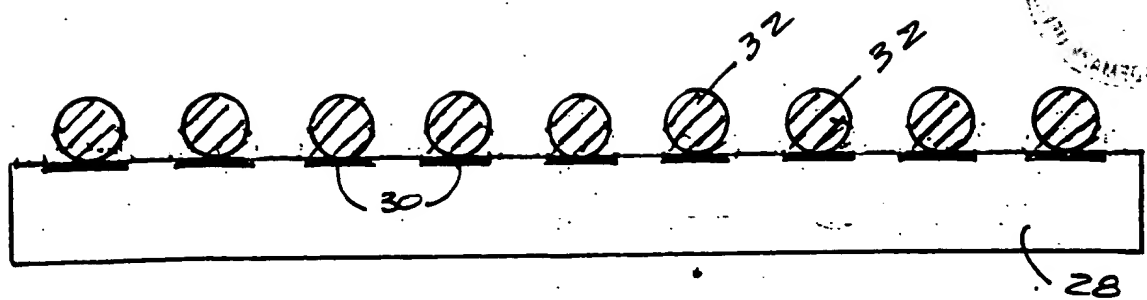


FIG. 11

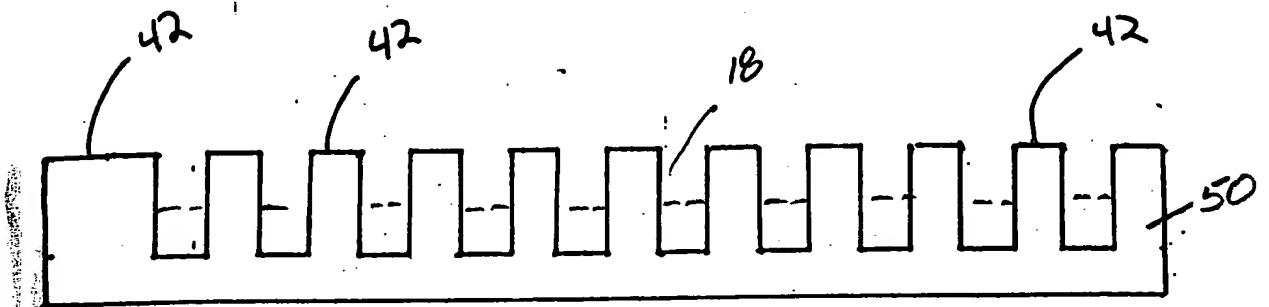


FIG. 12

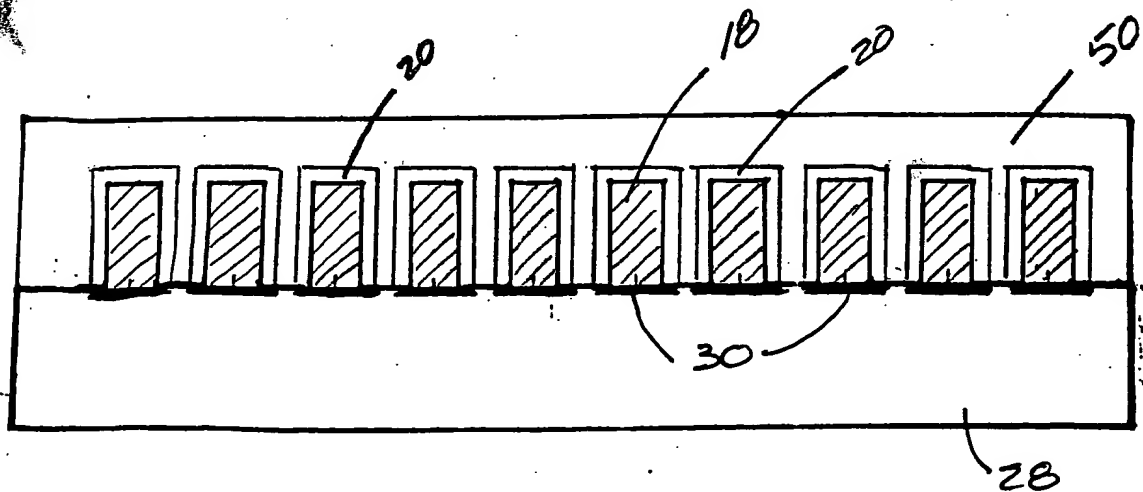


FIG. 13

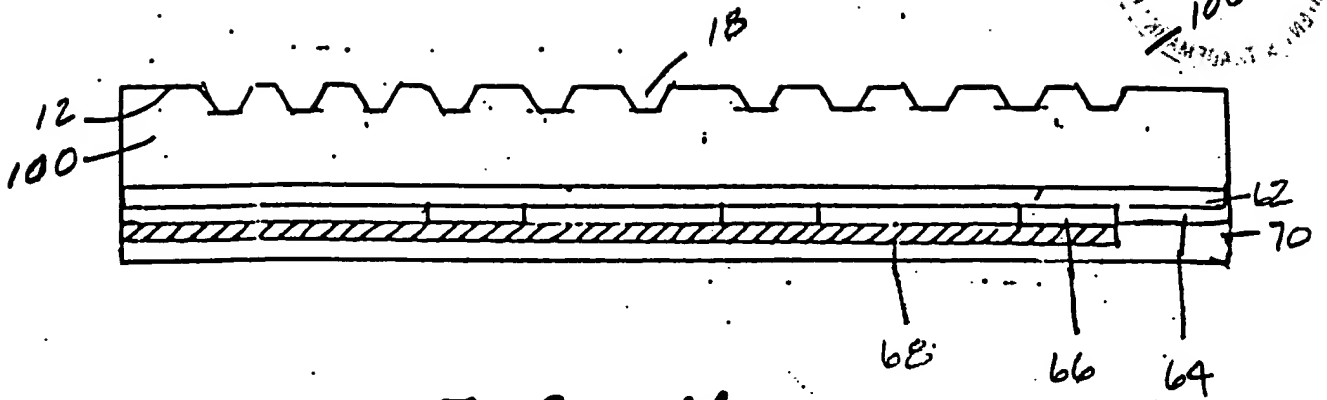


FIG. 16

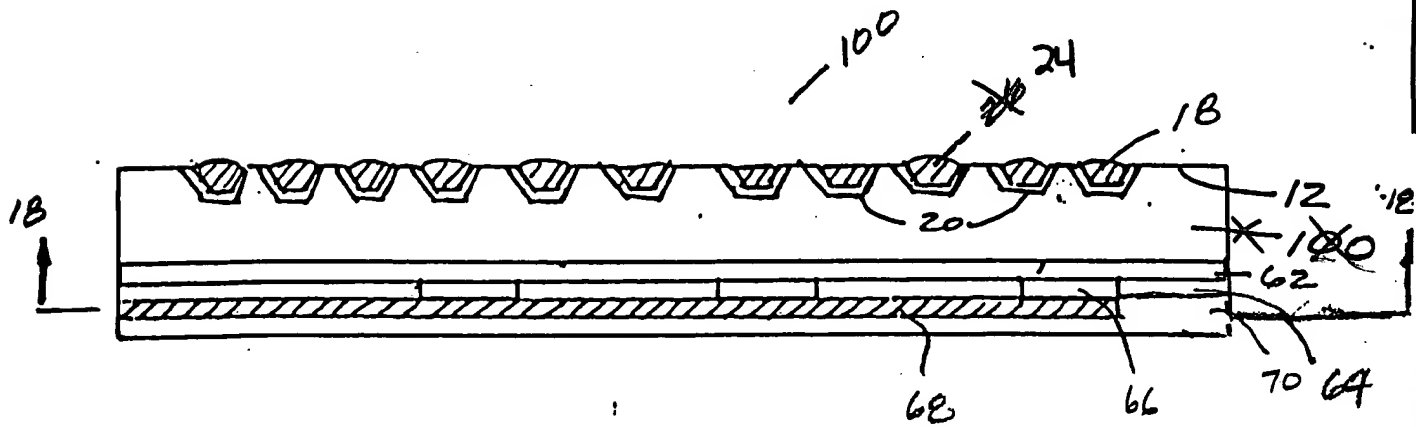


FIG. 17